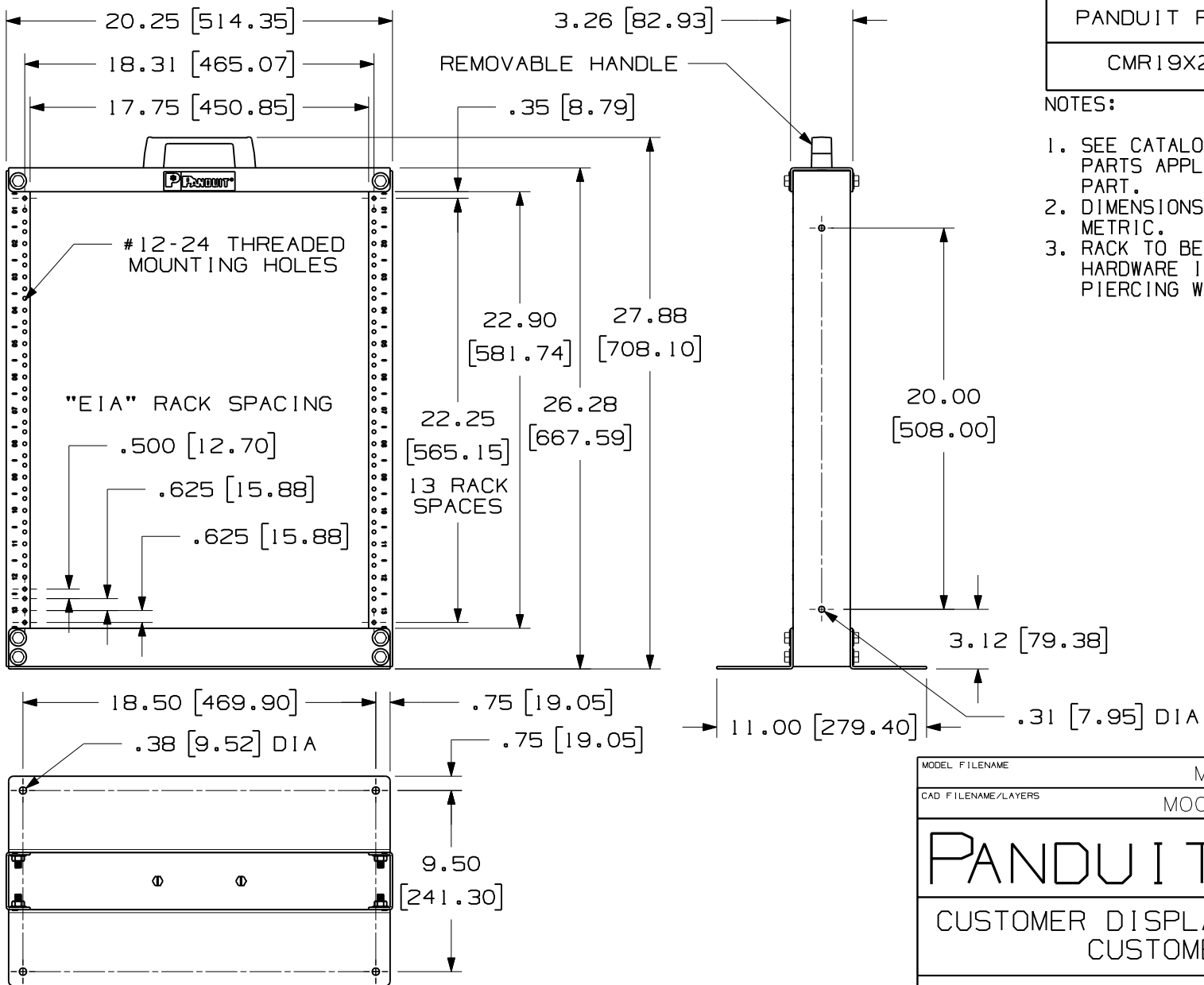


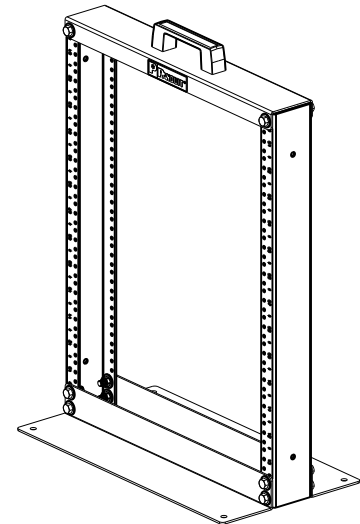
THIS COPY IS PROVIDED ON A RESTRICTED BASIS AND IS NOT TO BE USED IN ANY WAY DETRIMENTAL TO THE INTERESTS OF PANDUIT CORP.



PANDUIT P/N	WEIGHT
CMR19X26	9.00 LB/1 PC (4,479 g/1 PC)

NOTES:

- SEE CATALOG FOR COMPLETE LIST OF PARTS APPLICABLE FOR USE WITH THIS PART.
- DIMENSIONS IN PARENTHESES ARE IN METRIC.
- RACK TO BE ASSEMBLED BY CUSTOMER, HARDWARE INCLUDED, WITH PAINT PIERCING WASHERS.



MODEL FILENAME	M00864AA/04
CAD FILENAME/LAYERS	M00864AA_DC/04A
PANDUIT CORP. TINLEY PARK, ILLINOIS	
CUSTOMER DISPLAY RACK (CMR19X26) CUSTOMER DRAWING	

UNLESS OTHERWISE SPECIFIED, DIMENSIONAL TOLERANCES ARE: (.X) ± (.XXX) ± .010 (.3) (.XX) ± .03 (.8) ANGLES ±	UNLESS OTHERWISE SPECIFIED, ALL DIMENSIONS ARE GIVEN IN INCHES, THIRD ANGLE PROJECTION.
-------------------------------------------------------------------------------------------------------------------	-----------------------------------------------------------------------------------------

REV	DATE	BY	CHK	DESCRIPTION	ECN	CHK	CUST	SUP
04A	11-4-08	BAME	<i>DPK</i>	CHANGED NUMBERING ORIENTATION	00864-08			
I	11-30-05	LEE	MWH	A. UPDATED GEOMETRY, ADDED GROUND WASHERS.	00864-08		KRKE	
R	6-12-00	AFW	RLFR	RELEASED TO PRODUCTION.	00864-08	RLFR		

DRAWN BY	AFW	MAT'L:		SCALE	NONE
DATE	6-12-00			DRAWING NO.	00864-08
CHECKED BY	RLFR			DWG	A
				SIZE	